

Termination (Low Power short-length)

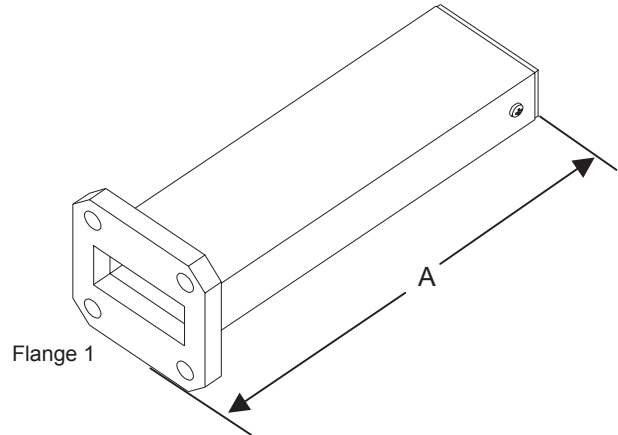
Series No: 133

Part Description

UBS' standard product line of precision low power terminations use spear load elements for optimum electrical performance. Maximum power handling capacity:
 0.5 watt for waveguide sizes WR-28 to WR-42, 1 watt for WR-51 and WR-62, 2 watts for waveguide sizes WR-75 to WR-650.

Ordering Data

Part number - 133 - X - X - X
 Series No. _____
 WG Size _____
 Flange 1 _____
 Flange 1 Mounting _____



Flange Configuration

Flange Type	C - Cover G - Groove CHOKE CMR CPR(F, G)
Flange Mounting Holes	T1 - Through Holes T2 - Threaded A - Alternating

Electrical Specification

VSWR	< 1.15 max.
-------------	-------------

STANDARD FINISH: is electroless corrosion protection for the metal surface. Non standard configurations and finishes (Nickel, Cadmium plating) are available upon request. Waveguide sizes up to WR-650 available. Contact our sales department with your requirements.

Specifications

Size	Frequency GHz	Dimensions (inches) A (min)
WR28	26.50 - 40.00	1.00
WR34	22.00 - 33.00	1.00
WR42	18.00 - 26.00	1.00
WR51	15.00 - 22.00	1.40
WR62	12.40 - 18.00	1.80
WR75	10.00 - 15.00	2.00
WR90	8.20 - 12.40	3.00
WR112	7.05 - 10.00	3.28
WR137	5.85 - 8.20	3.50
WR159	4.09 - 7.05	3.50
WR187	3.95 - 5.85	4.00
WR229	3.30 - 4.90	5.00
WR284	2.60 - 3.95	6.00
WR340	2.20 - 3.30	-
WR430	1.70 - 2.60	-
WR510	1.45 - 2.02	-
WR650	1.12 - 1.70	-