

Termination (Medium Power, short-length)

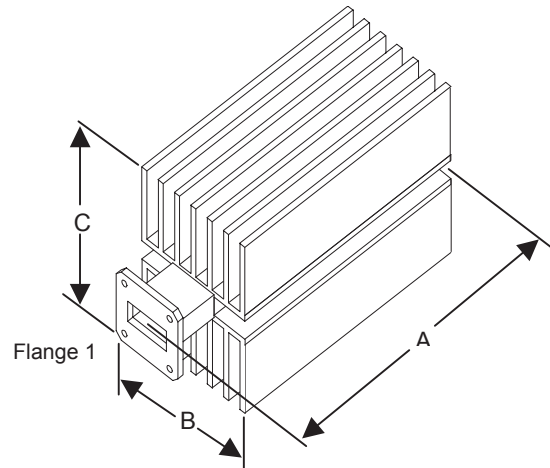
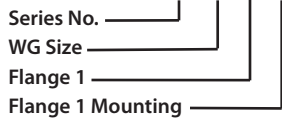
Series No: 135

Part Description

UBS' standard product line of medium power terminations are constructed of normal wall waveguide tubing and extruded heat sink material. The load elements are custom ground silicon carbide spears tapered for an optimum VSWR response of 1.15 max.

Ordering Data

Part number - 135 - X - X - X



Flange Configuration

Flange Type	C - Cover G - Groove CHOKE CMR CPR(F, G)
Flange Mounting Holes	T1 - Through Holes T2 - Threaded A - Alternating

Electrical Specification

VSWR	< 1.15 max.
-------------	-------------

STANDARD FINISH: is electroless corrosion protection for the metal surface. Non standard configurations and finishes (Silver, Nickel, Cadmium plating) are available upon request. Waveguide sizes up to WR-650 available. Contact our sales department with your requirements.

Notes

1. All dimensions are for reference only
2. Depending on waveguide size and power requirements, the termination may require a heatsink. If required, UBS will advise and quote the termination with the heatsink included
3. All heatsinks selected based on natural convection cooling. For Forced air cooling, contact factory

Specifications

Size	Frequency GHz	Dimensions (inches)			Average Power Watts
		A	B	C	
WR28	26.50 - 40.00	3.00	2.30	3.40	50
WR34	22.00 - 33.00	3.00	2.30	3.40	50
WR42	18.00 - 26.00	3.00	2.30	3.40	80
WR51	15.00 - 22.00	3.00	2.30	3.40	100
WR62	12.40 - 18.00	3.00	2.30	3.40	150
WR75	10.00 - 15.00	4.00	2.30	3.40	80
WR90	8.20 - 12.40	5.00	2.30	3.40	150
WR112	7.05 - 10.00	5.00	2.30	3.40	250
WR137	5.85 - 8.20	5.00	2.30	3.40	350
WR159	4.09 - 7.05	5.00	2.30	3.40	300
WR187	3.95 - 5.85	5.50	2.30	3.40	450
WR229	3.30 - 4.90	6.00	2.30	3.40	300
WR284	2.60 - 3.95	7.50	2.30	3.40	500
WR340	2.20 - 3.30	-	-	-	700
WR430	1.70 - 2.60	-	-	-	450