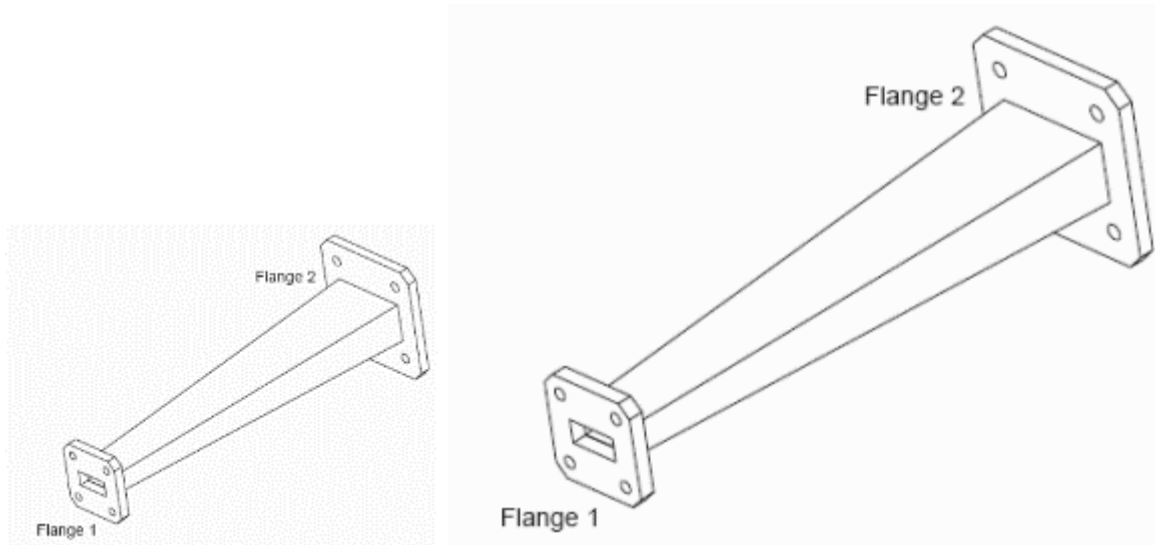
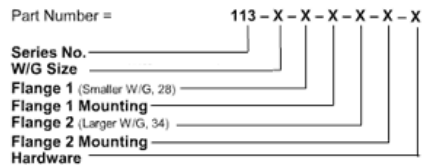


## Transitions Series S113 (with Flanges)

UBS standard product line of fabricated waveguide transitions are designed to interconnect different size waveguide components in a minimum space. The standard rectangular sizes from WR-28 through WR-284 are shown on this data sheet.



### Ordering Information





## Specifications

Size	Frequency (GHz)
WR28/34	26.50 - 33.00
WR34/42	22.00 - 26.50
WR42/51	18.00 - 22.00
WR51/62	15.00 - 18.00
WR62/75	12.40 - 15.00
WR75/90	10.00 - 12.40
WR90/112	8.20 - 10.00
WR112/137	7.05 - 10.00
WR137/159	5.85 - 8.20
WR159/187	4.09 - 7.05
WR187/229	3.95 - 5.85
WR229/284	3.30 - 4.90

## Flange Configuration

FlangeType	C - Cover G - Groove CHOKE CMR CPR CPR (F,G)
Flange Mounting Holes	T1 - Through Holes T2 - Threaded
Hardware	A - Alternating 0 - Not required 1 - Required

## Electrical Specifications

VSWR	1.10 Max
------	----------