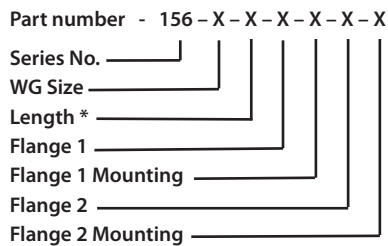


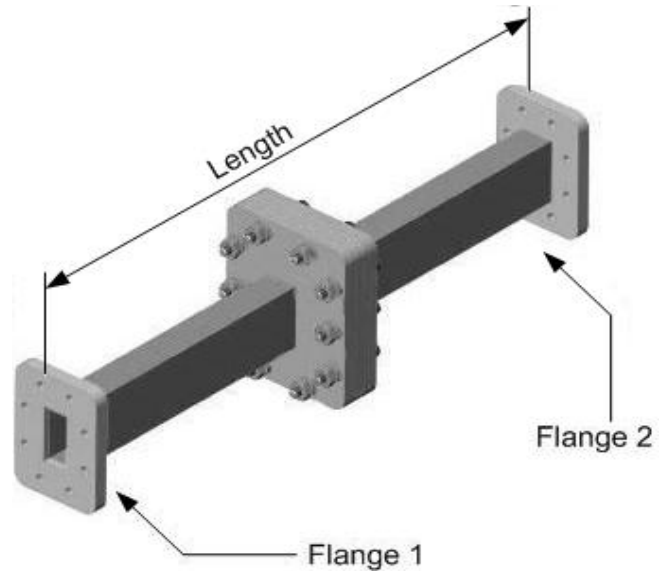
**Part Description**

UBS offers a series of DC Blocks covering waveguide sizes from WR-28 through WR-650. The assembly construction includes precision ground elements for optimum electrical performance.

**Ordering Data**



\* Customer requested Length  
(contact Sales for more information)



**Flange Configuration**

<b>Flange Type</b>	C - Cover G - Groove CHOKE CMR CPR CPR(F, G)
<b>Flange Mounting Holes</b>	T1 - Through Holes T2 - Threaded A - Alternating

**Electrical Specification**

<b>VSWR</b>	1.15 max.
<b>Insertion Loss</b>	0.15 dB max.

**STANDARD FINISH:** is electroless corrosion protection for the metal surface. Non standard configurations and finishes (Silver, Nickel, Cadmium plating) are available upon request. Waveguide sizes up to WR-650 available. Contact our sales department with your requirements.

**Specifications**

Size	Frequency GHz	C	G	CHOKE	CMR	CPR
WR28	26.50 - 40.00	•	•	•		
WR34	22.00 - 33.00	•	•	•		
WR42	18.00 - 26.00	•	•	•		
WR51	15.00 - 22.00	•	•	•		
WR62	12.40 - 18.00	•	•	•		
WR75	10.00 - 15.00	•	•	•	•	•
WR90	8.20 - 12.40	•	•	•	•	•
WR112	7.05 - 10.00	•	•	•	•	•
WR137	5.85 - 8.20	•	•	•	•	•
WR159	4.09 - 7.05	•	•	•	•	•
WR187	3.95 - 5.85	•	•	•	•	•
WR229	3.30 - 4.90	•	•	•	•	•
WR284	2.60 - 3.95	•	•	•	•	•
WR340	2.20 - 3.30	•	•	•	•	•
WR430	1.70 - 2.60	•	•	•	•	•
WR650	1.12 - 1.70	•	•	•	•	•