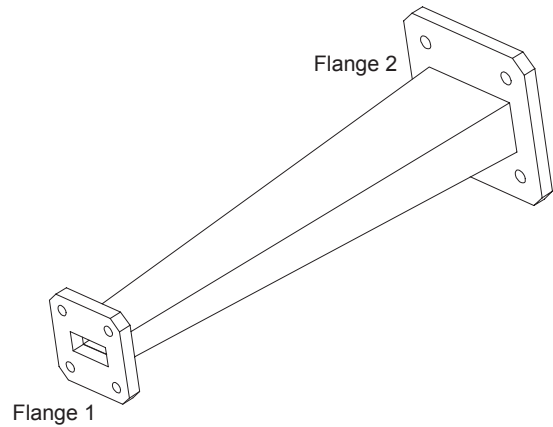
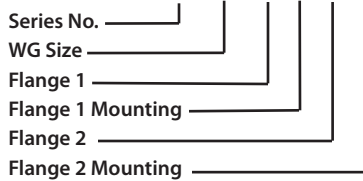


**Part Description**

UBS standard product line of fabricated waveguide transitions are designed to interconnect different size waveguide components in a minimum space. The standard rectangular sizes from WR-28 through WR-284 are shown on this data sheet.

**Ordering Data**

Part number - 113 - X/X - X - X - X - X



**Flange Configuration**

<b>Flange Type</b>	C - Cover G - Groove CHOKE CMR CPR(F, G)
<b>Flange Mounting Holes</b>	T1 - Through Holes T2 - THreaded A - Alternating

**Specifications**

Size	Frequency GHz
WR28/34	26.50 - 33.00
WR34/42	22.00 - 26.50
WR42/51	18.00 - 22.00
WR51/62	15.00 - 18.00
WR62/75	12.40 - 15.00
WR75/90	10.00 - 12.40
WR90/112	8.20 - 10.00
WR112/137	7.05 - 10.00
WR137/159	5.85 - 8.20
WR159/187	4.09 - 7.05
WR187/229	3.95 - 5.85
WR229/284	3.30 - 4.90

**Electrical Specification**

<b>VSWR</b>	1.10 max.
-------------	-----------

**STANDARD FINISH:** is electroless corrosion protection for the metal surface. Non standard configurations and finishes (Silver, Nickel, Cadmium plating) are available upon request. Waveguide sizes up to WR-650 available. Contact our sales department with your requirements.

(specifications are subject to change without notice)