

Pressure Inserter

Series No: 116

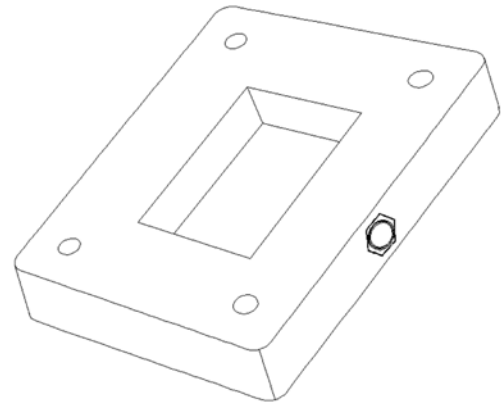
Part Description

UBS offers a line of pressure inserters to mate with all standard waveguide flanges. In addition to the popular standard flanges listed, UBS offers a more complete line of industry standard flange styles upon request. All pressure inserters are manufactured from aluminum alloy that has been chemically cleaned and coated to prevent corrosion. The pressure inlet has 1/8" female pipe thread and is shipped with a sealed 1/8" male pipe thread plug installed. Thickness 0.375". Holes for attachment hardware are drilled clear.

Ordering Data

Part number - 116 - X - X

Series No. _____
WG Size _____
Flange _____



Flange Configuration

Flange Type	C - Cover G - Groove CHOKE CMR CPR (F, G)
--------------------	---

Electrical Specification

VSWR	< 1.1 max.
-------------	------------

Specifications

Size	C	G	CHOKE	CMR	CPR
WR28	•	•	•		
WR34	•	•	•		
WR42	•	•	•		
WR51	•	•	•		
WR62	•	•	•		
WR75	•	•	•	•	•
WR90	•	•	•	•	•
WR112	•	•	•	•	•
WR137	•	•	•	•	•
WR159	•	•	•	•	•
WR187	•	•	•	•	•
WR229	•	•	•	•	•
WR284	•	•	•	•	•
WR340	•	•	•	•	•
WR430	•	•	•	•	•
WR650	•	•	•	•	•

(specifications are subject to change without notice)

www.Uniquesys.com

Head Office: Unique Broadband Systems a DOL Technologies Inc. Company
120 Spinnaker Way, Vaughan Ontario L4K 2P6 | Tel: 905 669 8533 | Toll Free: 1 877 669 8533 | Email: Sales@uniquesys.com