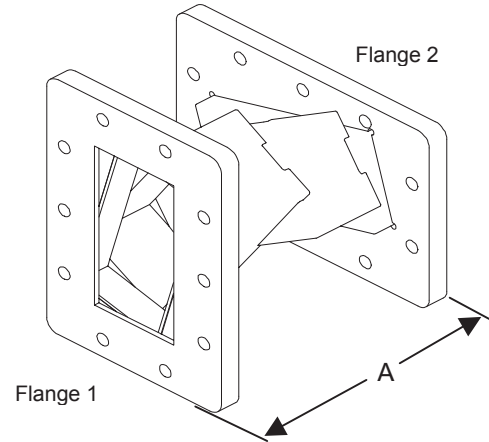
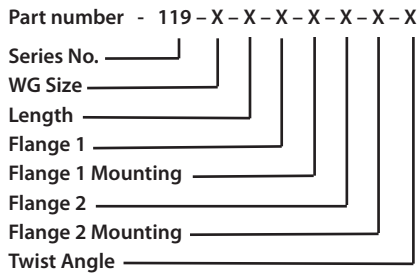


**Part Description**

Unique Broadband Systems offers a custom product line of Electroformed step twist covering waveguide sizes from WR-90 through WR-650. Insertion loss is equivalent to straight waveguide sections.

**Ordering Data**



**Flange Configuration**

<b>Flange Type</b>	C - Cover G - Groove CHOKE CMR CPR(F, G)
<b>Flange Mounting Holes</b>	T1 - Through Holes T2 - Threaded A - Alternating
<b>Twist Angle</b>	1 - 90° Twist 2 - 45° Twist

**Electrical Specification**

<b>VSWR</b>	< 1.2 max.
-------------	------------

**STANDARD FINISH:** is electroless corrosion protection for the metal surface. Non standard configurations and finishes (Silver, Nickel, Cadmium plating) are available upon request. Waveguide sizes up to WR-650 available. Contact our sales department with your requirements.

**Specifications**

Size	Frequency GHz	Minimum Dimension Available for 90° Twist (inches)	Minimum Dimension Available for 45° Twist (inches)
WR90	8.20 - 12.40	2.00	1.50
WR112	7.05 - 10.00	2.00	1.50
WR137	5.85 - 8.20	2.00	1.50
WR159	4.09 - 7.05	3.00	2.00
WR187	3.95 - 5.85	3.00	2.00
WR229	3.30 - 4.90	3.00	2.00
WR284	2.60 - 3.95	6.00	5.00
WR340	2.20 - 3.30	6.00	5.00
WR430	1.70 - 2.60	6.00	5.00
WR650	1.12 - 1.70	9.00	8.00

(specifications are subject to change without notice)