

Termination (Medium Power)

Series No: 134

Part Description

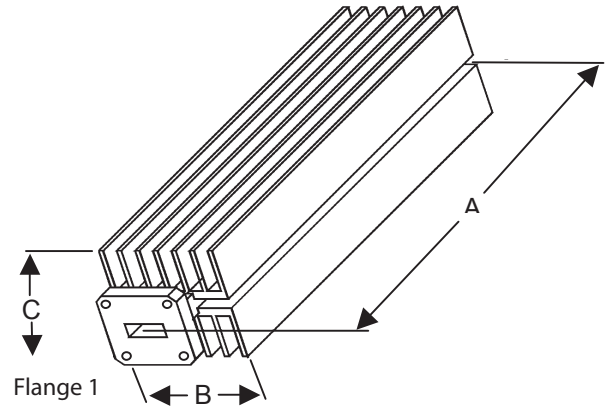
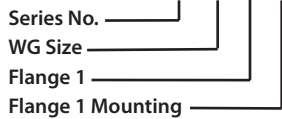
UBS' standard product line of medium power terminations are constructed of normal wall waveguide tubing and extruded heat sink material. The load elements are custom ground silicon carbide spears tapered for an optimum VSWR response of 1.10 max.

Maximum power handling capacity:

25 watts for waveguide sizes WR-28 to WR-62, 50 watts for waveguide sizes WR-75 to WR-430.

Ordering Data

Part number - 134 - X - X - X



Flange Configuration

Flange Type	C - Cover G - Groove CHOKE CMR CPR(F, G)
Flange Mounting Holes	T1 - Through Holes T2 - Threaded A - Alternating

Electrical Specification

VSWR	< 1.10 max.
-------------	-------------

STANDARD FINISH: is electroless corrosion protection for the metal surface. Non standard configurations and finishes (Nickel, Cadmium plating) are available upon request. Waveguide sizes up to WR-650 available. Contact our sales department with your requirements.

Specifications

Size	Frequency GHz	Dimensions (inches)		
		A	B	C
WR28	26.50 - 40.00	5.00	2.30	3.40
WR34	22.00 - 33.00	5.00	2.30	3.40
WR42	18.00 - 26.00	5.00	2.30	3.40
WR51	15.00 - 22.00	5.00	2.30	3.40
WR62	12.40 - 18.00	5.00	2.30	3.40
WR75	10.00 - 15.00	7.00	2.30	3.40
WR90	8.20 - 12.40	7.00	2.30	3.40
WR112	7.05 - 10.00	7.00	2.30	3.40
WR137	5.85 - 8.20	7.00	2.30	3.40
WR159	4.09 - 7.05	8.50	2.30	3.40
WR187	3.95 - 5.85	8.50	2.30	3.40
WR229	3.30 - 4.90	9.00	2.30	3.40
WR284	2.60 - 3.95	12.00	2.30	3.40
WR340	2.20 - 3.30	-	-	-
WR430	1.70 - 2.60	-	-	-

(specifications are subject to change without notice)

www.Uniquesys.com