

Broadwall Directional Coupler

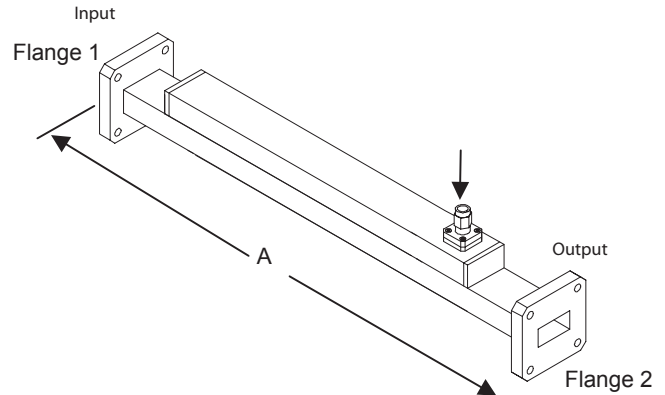
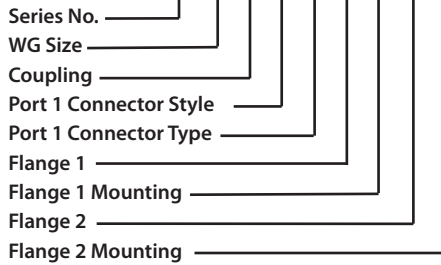
Series No: 143

Part Description

UBS offers a standard product line of multi-hole coax secondary broadwall couplers covering waveguide sizes from WR-28 through WR-284. The optimum electrical characteristics of high directivity and coupling flatness are achieved utilizing a precision machined Tchebyscheff coupling hole distribution and a precision ground tapered load element in the secondary arm.

Ordering Data

Part number - 143 - X - X - X - X - X - X - X - X



Flange Configuration

Flange Type	C - Cover G - Groove CHOKE, CMR, CPR(F, G)
Flange Mounting Holes	T1 - Through Holes T2 - Threaded A - Alternating

Port Configuration

Connector Style	SMA, N, 2.9 mm(K), 3.5 mm, 2.4mm
Connector Type	M - Male, F - Female

Electrical Specification

VSWR	1.08 max. primary line 1.30 max. secondary line
Coupling	± 1.0 dB mean
Directivity	35 dB min.

STANDARD FINISH: is electroless corrosion protection for the metal surface, plus "Admiralty Gray" epoxy top coat. Non standard configurations and finishes (Silver, Nickel, Cadmium plating) are available upon request. Waveguide sizes up to WR-650 available. Contact our sales department with your requirements.

Specifications

Size	Frequency GHz
WR28	26.50 - 40.00
WR34	22.00 - 33.00
WR42	18.00 - 26.00
WR51	15.00 - 22.00
WR62	12.40 - 18.00
WR75	10.00 - 15.00
WR90	8.20 - 12.40
WR112	7.05 - 10.00
WR137	5.85 - 8.20
WR159	4.09 - 7.05
WR187	3.95 - 5.85
WR229	3.30 - 4.90
WR284	2.60 - 3.95

Coupling

6,10, 20, 30, 40 and 50 dB

Note

For 60 dB coupling, an attenuator will be used on coaxial port and coupling mean is ±1.0 dB frequency response.

(specifications are subject to change without notice)