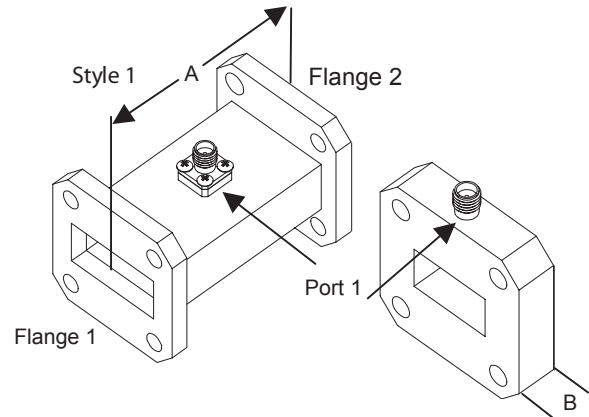


### Part Description

Unique Broadband Systems power samplers offers a low cost approach to monitoring power in matched waveguide systems where high directivity is not a concern. Standard coupling values are available from 20 dB to 90 dB with coupling flatness maintained at +/- 1.0 dB.

### Ordering Data

Part number - 148 - X - X - X - X - X - X - X - X  
 Series No. \_\_\_\_\_  
 WG Size \_\_\_\_\_  
 Coupling \_\_\_\_\_  
 Port 1 Connector Style \_\_\_\_\_  
 Port 1 Connector Type \_\_\_\_\_  
 Flange 1 \_\_\_\_\_  
 Flange 1 Mounting \_\_\_\_\_  
 Flange 2 \_\_\_\_\_  
 Flange 2 Mounting \_\_\_\_\_



### Flange Configuration

Flange Type	C - Cover G - Groove CHOKE, CMR, CPR(F, G)
Flange Mounting Holes	T1 - Through Holes T2 - Threaded A - Alternating

### Port Configuration

Connector Style	SMA, N, 2.9 mm(K), 3.5 mm, 2.4mm
Connector Type	M - Male, F - Female

### Electrical Specification

VSWR - Mainline	1.10 max.
-----------------	-----------

### Specifications

Size	Frequency GHz	Dimension (inches)	
		A	B
WR28	26.50 - 40.00	2.00	0.75
WR34	22.00 - 33.00	2.00	0.75
WR42	18.00 - 26.00	2.00	0.75
WR51	15.00 - 22.00	2.00	0.75
WR62	12.40 - 18.00	2.00	0.75
WR75	10.00 - 15.00	2.00	0.75
WR90	8.20 - 12.40	2.00	0.75
WR112	7.05 - 10.00	2.00	0.75
WR137	5.85 - 8.20	2.50	0.75
WR159	4.09 - 7.05	2.50	-
WR187	3.95 - 5.85	3.00	-
WR229	3.30 - 4.90	3.00	-
WR284	2.60 - 3.95	3.00	-

**STANDARD FINISH:** is electroless corrosion protection for the metal surface, plus "Admiralty Gray" epoxy top coat. Non standard configurations and finishes (Silver, Nickel, Cadmium plating) are available upon request. Waveguide sizes up to WR-650 available. Contact our sales department with your requirements.

### Coupling

30 to 40dB

(specifications are subject to change without notice)