

## Fixed Attenuator

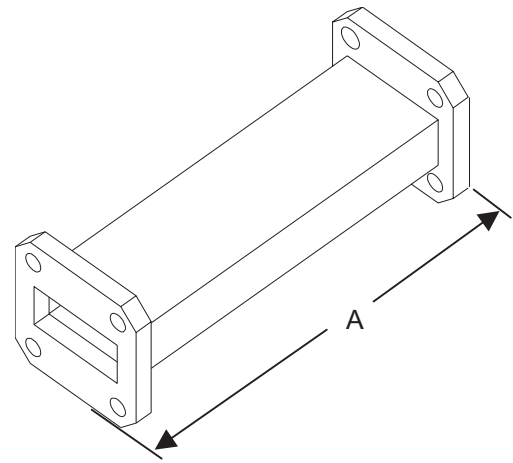
Series No: 152

### Part Description

UBS offers a series of rectangular waveguide precision attenuators covering waveguide sizes from WR-28 through WR-284. The assembly construction includes a precision ground observing elements for optimum electrical performance. Attenuation flatness is +/- 0.5 dB over the 30% bandwidth and +/- 1.5 dB Full Band. The max. power rating for all waveguide sizes is 1 watt WR-28 to WR-62.

### Ordering Data

Part number - 152 - X - X - X - X - X - X  
 Series No. \_\_\_\_\_  
 WG Size \_\_\_\_\_  
 Attenuation \_\_\_\_\_  
 Flange 1 \_\_\_\_\_  
 Flange 1 Mounting \_\_\_\_\_  
 Flange 2 \_\_\_\_\_  
 Flange 2 Mounting \_\_\_\_\_



### Flange Configuration

|                              |  |
|------------------------------|--|
| <b>Flange Type</b>           | C - Cover<br>G - Groove<br>CHOKE<br>CMR<br>CPR(F, G)   |
| <b>Flange Mounting Holes</b> | T1 - Through Holes<br>T2 - Threaded<br>A - Alternating |

### Specifications

| Size  | Frequency GHz | Minimum Dimension |
|-------|---------------|-------------------|
| WR28  | 26.50 - 40.00 | 2.00              |
| WR34  | 22.00 - 33.00 | 2.00              |
| WR42  | 18.00 - 26.00 | 2.00              |
| WR51  | 15.00 - 22.00 | 2.50              |
| WR62  | 12.40 - 18.00 | 2.50              |
| WR75  | 10.00 - 15.00 | 3.00              |
| WR90  | 8.20 - 12.40  | 3.00              |
| WR112 | 7.05 - 10.00  | 3.50              |
| WR137 | 5.85 - 8.20   | 3.50              |
| WR159 | 4.09 - 7.05   | 3.50              |
| WR187 | 3.95 - 5.85   | 4.00              |
| WR229 | 3.30 - 4.90   | 4.00              |
| WR284 | 2.60 - 3.95   | 4.00              |

### Electrical Specification

|                    |             |
|--------------------|-------------|
| <b>Attenuation</b> | 1 - 60 dB   |
| <b>VSWR</b>        | < 1.10 max. |

**STANDARD FINISH:** is electroless corrosion protection for the metal surface. Non standard configurations and finishes (Silver, Nickel, Cadmium plating) are available upon request. Waveguide sizes up to WR-650 available. Contact our sales department with your requirements.

(specifications are subject to change without notice)