

# Waveguide Bulkhead Feed Assembly

Series No: 154

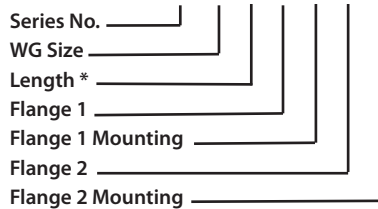
## Part Description

The 154 series Waveguide Bulkhead Feed Assembly was designed for use as a wall feed-through in assemblies. A gasket is provided on the panel mount side for weather resistance and the adapter is finished in a baked enamel paint.

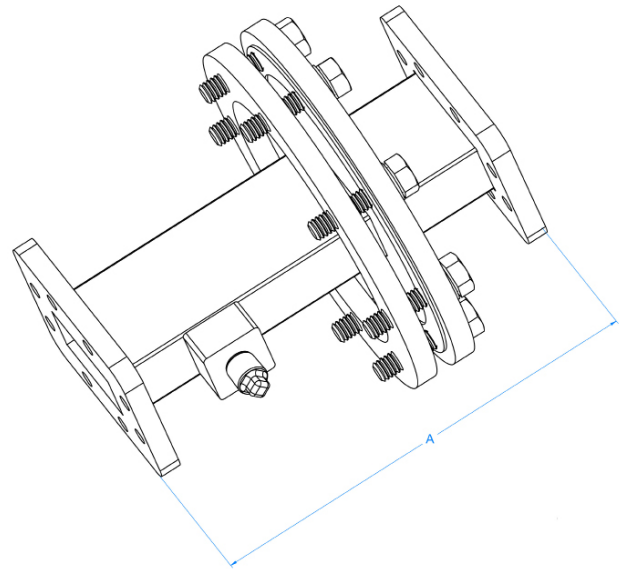
These adapters operate over the full waveguide bandwidths and are available for WR75 to WR137 waveguide sizes. Standard lengths are 5.00 inches with custom lengths and a wide variety of flange types available upon request.

## Ordering Data

Part number - 154 - X - X - X - X - X - X



\* Customer requested Length  
(contact Sales for more information)



## Flange Configuration

<b>Flange Type</b>	C - Cover G - Groove CHOKE CMR CPR(F, G)
<b>Flange Mounting Holes</b>	T1 - Through Holes T2 - Threaded A - Alternating

## Specifications

Size	Frequency (GHz)	Length (inches)
WR75	10.00 - 15.00	5.00
WR90	8.20 - 12.40	5.00
WR112	7.05 - 10.00	5.00
WR137	5.85 - 8.20	5.00

(specifications are subject to change without notice)

[www.Uniquesys.com](http://www.Uniquesys.com)

Head Office: Unique Broadband Systems a DOL Technologies Inc. Company  
120 Spinnaker Way, Vaughan Ontario L4K 2P6 | Tel: 905 669 8533 | Toll Free: 1 877 669 8533 | Email: Sales@uniquesys.com