

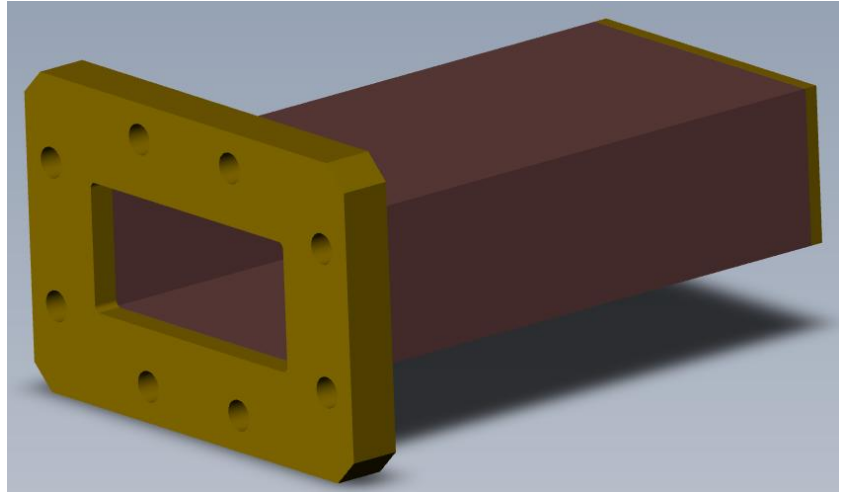
WR-137 Waveguide Load 2W

Typical Application

- SATCOM
- Radar Systems
- Telecom Infrastructure
- Laboratory Setups

Product Features

- Full band operation
- Low VSWR
- Rugged mechanical configuration



Product Description

UBS' standard product line of precision low power terminations use spear load elements for optimum electrical performance. The 133-137-CMR-T1-3.125 is a WR-137 waveguide termination that operates in the frequency range of 5.85 to 8.2 GHz and capable of handling up to 2W of CW power. This WR-137 waveguide termination has a typical VSWR of 1.15:1. These waveguide termination are made of bare brass and copper incorporating a standard CMR flange.

Product Specifications

Electrical	
Operating Frequency Range	5.85 - 8.20 GHz
VSWR	1.15:1 max
Input Power (CW)	2W
Waveguide Size	WR-137
Flange	CMR, THRU Holes
Length	3.125 in
Operating Temperature Range	- 40°C + 85°C