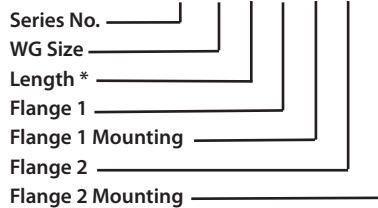


Part Description

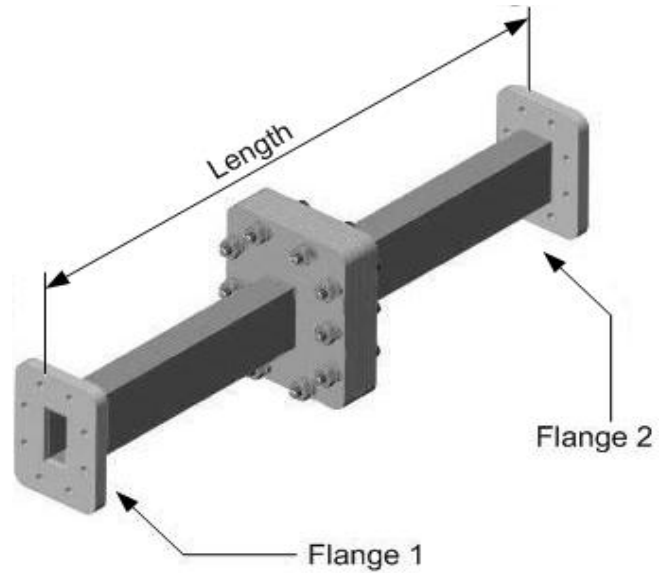
UBS offers a series of DC Blocks covering waveguide sizes from WR-28 through WR-650. The assembly construction includes precision ground elements for optimum electrical performance.

Ordering Data

Part number - 156 - X - X - X - X - X - X



* Customer requested Length
(contact Sales for more information)



Flange Configuration

Flange Type	C - Cover G - Groove CHOKE CMR CPR CPR(F, G)
Flange Mounting Holes	T1 - Through Holes T2 - Threaded A - Alternating

Electrical Specification

VSWR	1.15 max.
Insertion Loss	0.15 dB max.

STANDARD FINISH: is electroless corrosion protection for the metal surface. Non standard configurations and finishes (Silver, Nickel, Cadmium plating) are available upon request. Waveguide sizes up to WR-650 available. Contact our sales department with your requirements.

Specifications

Size	Frequency GHz	C	G	CHOKE	CMR	CPR
WR28	26.50 - 40.00	•	•	•		
WR34	22.00 - 33.00	•	•	•		
WR42	18.00 - 26.00	•	•	•		
WR51	15.00 - 22.00	•	•	•		
WR62	12.40 - 18.00	•	•	•		
WR75	10.00 - 15.00	•	•	•	•	•
WR90	8.20 - 12.40	•	•	•	•	•
WR112	7.05 - 10.00	•	•	•	•	•
WR137	5.85 - 8.20	•	•	•	•	•
WR159	4.90 - 7.05	•	•	•	•	•
WR187	3.95 - 5.85	•	•	•	•	•
WR229	3.30 - 4.90	•	•	•	•	•
WR284	2.60 - 3.95	•	•	•	•	•
WR340	2.20 - 3.30	•	•	•	•	•
WR430	1.70 - 2.60	•	•	•	•	•
WR650	1.12 - 1.70	•	•	•	•	•

(specifications are subject to change without notice)