

WRD150 U – Bend, H – Plane Waveguide Section

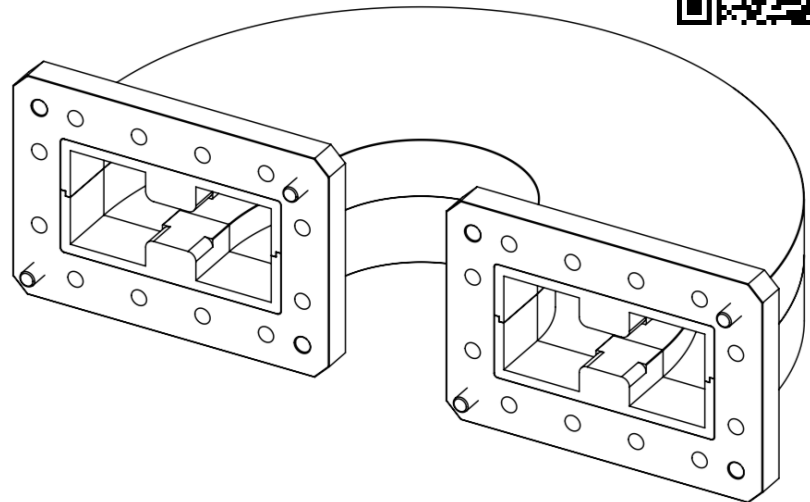


Applications

- Radar Systems
- Communication Systems
- Test Benches
- Military and Space

Product Features

- Broad Band Coverage
- Low Insertion Loss and VSWR
- High Power Rated



Product Description

UBS offers standard line of double ridge waveguide components in sizes ranging from WRD84 to WRD1800. Model **111-150D-A-Z-3.5-7.45-3.5-CPRG-T1-CPRG-T1** is a double ridge waveguide U – bend, H – plane section. The section provides extremely low Insertion Loss of less than 0.05 dB across 1.5 – 3.6 GHz and Return Loss of better than -30 dB. Different sizes and options are available upon request.

Product Specifications

Electrical	
Operating Frequency	1.5 - 3.6 GHz
Insertion Loss	≤ 0.05 dB
Return Loss	≤ -30 dB
Operating Temperature	-40° to 70° C

Mechanical	
Shape	U - Bend, H - Plane
Ports	WRD150D24
Housing Material	Aluminum
Finishing	XXXXXX
Dimensions (W x H x D)	XX" x XX" x XX"
Weight	≤ XXX g