

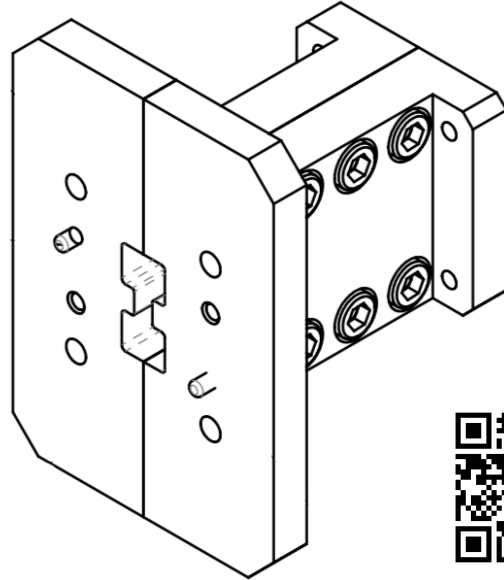
WRD750 to WR62 Transition

Applications

- Radar Systems
- Communication Systems
- Test Benches
- Military and Space

Product Features

- Broad Band Coverage
- Low Insertion Loss and VSWR
- High Power Rated



Product Description

Model 113-750D62-CUS-T1-G-T2 is a double ridge to rectangular waveguide transition. It offers seamless transition of high power RF energy between WRD750 and WR62 interfaces. The transition provides extremely low Insertion Loss of less than 0.05 dB across 12 – 18 GHz and Return Loss of better than -32 dB. Different sizes and interfaces are available upon request.

Product Specifications

Electrical	
Operating Frequency	12 - 18 GHz
Insertion Loss	≤ 0.05 dB
Return Loss	≤ -32 dB
Operating Temperature	-40° to 70° C

Mechanical	
Port 1	WRD750D24
Port 2	WR62, Grooved Flange, Threaded Holes
Housing Material	Aluminum
Finishing	XXXXXX
Dimensions (W x H x D)	XX" x XX" x XX"
Weight	≤ XXX g