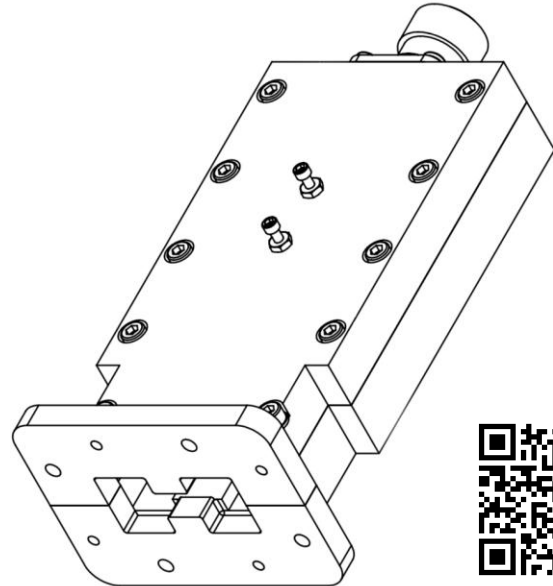


## Applications

- Radar Systems
- Communication Systems
- Test Benches
- Military and Space

## Product Features

- Broad Band Coverage
- Low Insertion Loss and VSWR
- High Power Rated



## Product Description

**Model 121E-350D-SC-M-CUS** is a double ridge waveguide to coaxial adapter. It offers seamless transition of high power RF energy between WRD350 and SC-Type Coax interfaces. The adapter provides extremely low Insertion Loss of less than 0.1 dB across 3.5 – 8.2 GHz and Return Loss of better than -21 dB. Different sizes and interfaces are available upon request.

## Product Specifications

Electrical	
Operating Frequency	3.5 - 8.2 GHz
Insertion Loss	≤ 0.1 dB
Return Loss	≤ -21 dB
Power Handling	800W CW 1400W Peak
Operating Temperature	-40° to 70° C

Mechanical	
Port 1	WRD350D24
Port 2	SC - Type, Female
Housing Material	Aluminum
Finishing	XXXXXX
Dimensions (W x H x D)	XX" x XX" x XX"
Weight	≤ XXX g