

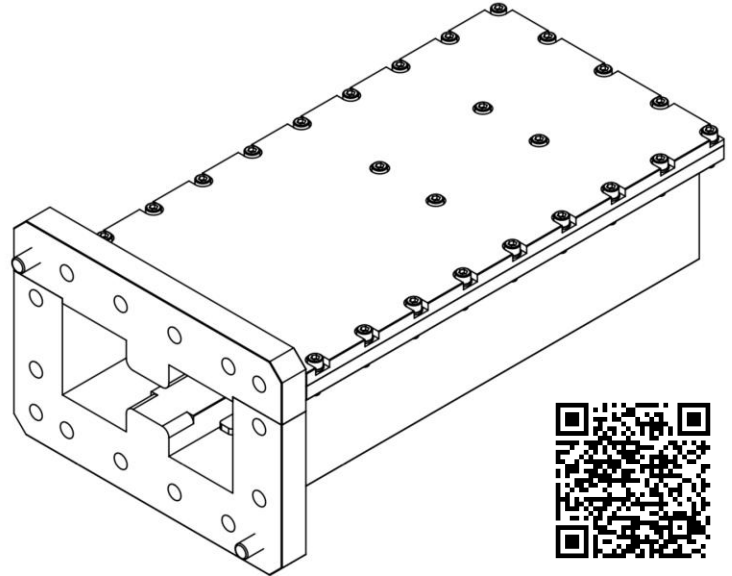
WRD150 – Short Precision Load

Applications

- Radar Systems
- Communication Systems
- Test Benches
- Military and Space

Product Features

- Broad Band Coverage
- Low VSWR
- Rugged Mechanical Design



Product Description

Model 131-150D-CPR-T1 is a double ridge waveguide precision load. It offers extremely low VSWR across the full band for laboratory grade precise measurements. Different sizes and interfaces are available upon request.

Product Specifications

Electrical	
Operating Frequency	1.5 - 3.6 GHz
Return Loss	≤ -37 dB
Power Handling	10W CW 100W Peak
Operating Temperature	-40° to 70° C

Mechanical	
Port 1	WRD150D24
Housing Material	Aluminum
Finishing	XXXXXX
Dimensions (W x H x D)	XX" x XX" x XX"
Weight	≤ XXX g