

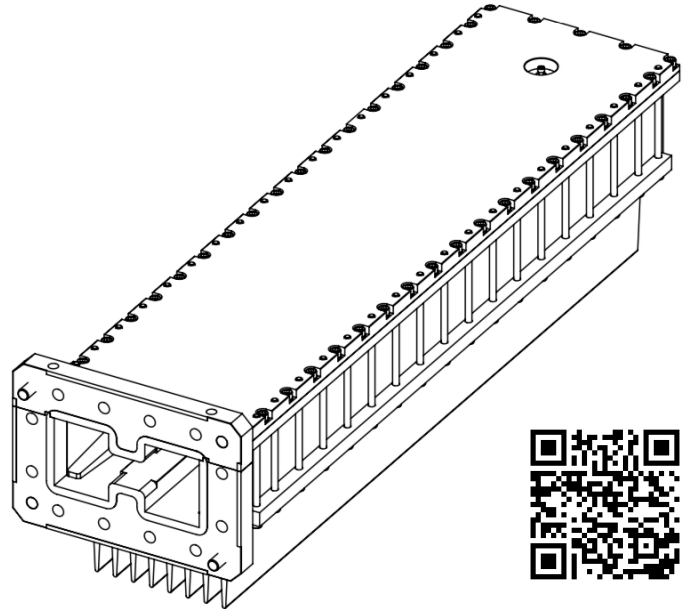
## WRD150 – 1500W Aircooled Load

### Applications

- Broadcast Systems
- Communication Systems
- Test Benches
- Military and Space

### Product Features

- Broad Band Coverage
- Low VSWR
- Rugged Mechanical Design



### Product Description

**Model 136-150D-1500-CPRG-T2** is a high power double ridge waveguide aircooled load. It offers extremely low VSWR across the full band for up to 1500W CW termination. The load is designed to be used as a dumping load in high power combining applications. Different sizes and interfaces are available upon request.

### Product Specifications

Electrical	
Operating Frequency	1.5 - 3.6 GHz
Return Loss	≤ -31 dB
Power Handling	1500W CW 10000W Peak
Operating Temperature	-40° to 70° C

Mechanical	
Port 1	WRD150D24
Housing Material	Aluminum
Finishing	XXXXXX
Dimensions (W x H x D)	XX" x XX" x XX"
Weight	≤ XXX g