

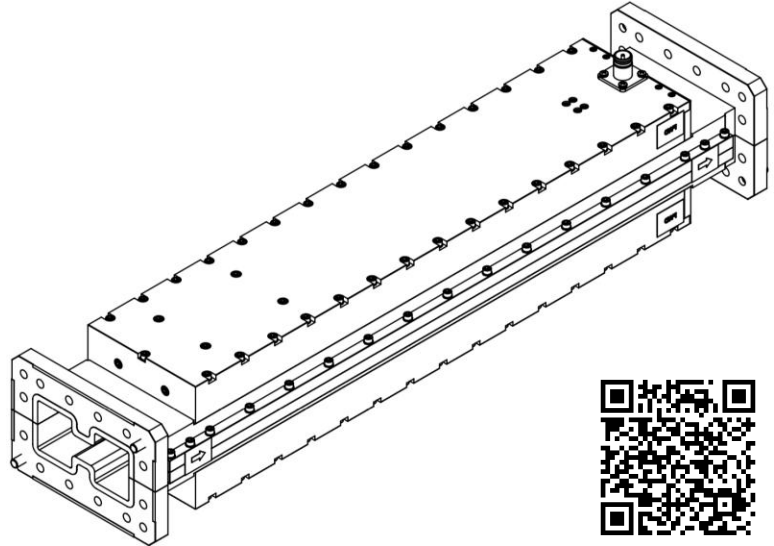
WRD150 – Dual Broadwall Coupler

Applications

- Radar Systems
- Communication Systems
- Test Benches
- Military and Space

Product Features

- Broad Band Coverage
- Low Insertion Loss and VSWR
- High Isolation
- High Power Rated



Product Description

Model 142-150-FF-4040-N-M-N-M is a double ridge waveguide dual broadwall coupler that operates from 1.5 GHz to 3 GHz. It offers broad band RF power sampling with outstanding directivity. The Coupler provides low Insertion Loss of less than 0.1 dB across 1.5 – 3 GHz and Return Loss of better than -21 dB. Unique design allows to achieve Directivity of 30 dB or better, while providing 40 dB Coupling in forward and reverse directions. Different waveguide sizes and coupling factors are available upon request.

Product Specifications

| Electrical | |
|---------------------------------|---------------|
| Operating Frequency | 1.5 - 3.0 GHz |
| Insertion Loss | ≤ 0.1 dB |
| Coupling Factor, Port 1 Forward | 40 ± 0.3 dB |
| Coupling Factor, Port 2 Reverse | 40 ± 0.3 dB |
| Directivity | ≥ 30 dB |
| Return Loss, main arm | ≤ -32 dB |
| Return Loss, coupled arm | ≤ -21 dB |
| Power Handling | 1000W CW |
| Operating Temperature | -40° to 70° C |

| Mechanical | |
|------------------------|-----------------|
| Waveguide Size | WRD150D24 |
| Housing Material | Aluminum |
| Finishing | XXXXXX |
| Dimensions (W x H x D) | XX" x XX" x XX" |
| Weight | ≤ XXX g |